

P/N: 75605-1500

Copyright

© 2016, FLIR Systems, Inc.

All rights reserved worldwide. Names and marks appearing herein are either registered trademarks or trademarks of FLIR Systems and/or its subsidiaries. All other trademarks, trade names or company names referenced herein are used for identification only and are the property of their respective owners.

Document identity

Publ. No.: 75605-1500

Release:

Commit: 37634

Language: en-US

Modified: 2016-10-05

Formatted: 2016-10-05

Website

<http://www.flir.com>

Customer support

<http://support.flir.com>

Disclaimer

Specifications subject to change without further notice. Camera models and accessories subject to regional market considerations. License procedures may apply. Products described herein may be subject to US Export Regulations. Please refer to exportquestions@flir.com with any questions.



Gimbal (Zenmuse XT)	
Name	Zenmuse XT
Dimensions	103 mm × 74 mm × 102 mm (4.1 in. × 2.9 in. × 4.0 in.)
Weight	270 g (0.60 lb.)
Angular vibration range	±0.03°
Mount	Detachable
Controllable range	<ul style="list-style-type: none"> Tilt: +35° to -90° Pan: ±320° Roll: ±15°
Mechanical range	<ul style="list-style-type: none"> Tilt: +45° to -135° Pan: ±320° Roll: ±45°
Maximum controllable speed	120°/s

Camera (Zenmuse XT)	
Thermal imager	Uncooled VOx microbolometer
FPA/digital video display formats	640 × 512 pixels
Analog video display formats	<ul style="list-style-type: none"> 720 × 480 pixels (NTSC) 720 × 576 pixels (PAL)
Pixel pitch	17 μm
Spectral band	7.5–13.5 μm
Frame rates	<ul style="list-style-type: none"> 30 Hz (NTSC) 25 Hz (PAL)
Sensitivity (NEΔT)	<50 mK at f/1.0
Accuracy	±5°C (±9°F)



FLIR Aerial IR Gimbal Zenmuse XT 13 mm, R (30 Hz)

P/N: 75605-1500

© 2016, FLIR Systems, Inc.

#75605-1500; r. /37634; en-US

Camera (Zenmuse XT)	
Scene range (high gain)	-25 to +135°C (-13 to +275°F)
Scene range (low gain)	-40 to 550°C (-40 to +1022°F)
Measurement area	Temperatures measured in the full image
File storage	Micro SD card. 16 GB Class 10 included, up to 32 GB supported.
Data logging	<ul style="list-style-type: none">• 8-bit AGC + LUT video at camera frame rate packaged in either .MOV or .MP4 wrappers.• 8-bit AGC + LUT still images in .JPG.• 14-bit TIFF raw still images with FLIR-specified metadata.
Image processing and display controls	
NTSC/PAL (field switchable)	Yes
Image optimization	Yes
Digital detail	Yes
Enhancement	
Polarity control (black hot/white hot)	Yes
Color and monochrome palettes (LUTs)	Yes
Digital zoom	2x, 4x, 8x
Lens model	
Focal length	13 mm
f number	f/1.25
FoV	45° × 37°
iFoV	1.308 mrad
Minimum focus distance	7.6 cm (3.0 in.)
Hyperfocal distance	4.4 m (14.4 ft.)
Hyperfocal depth of field	2.2 m (7.2 ft.)
Environmental	
Operating temperature range	-10 to +40°C (+14 to +104°F)
Non-operating temperature range	-30 to +70°C (-22 to +158°F)
Temperature shock	5°C/min (41°F/min)
Humidity	5-95%
Certifications	
Compliance	http://www.dji.com/euro-compliance




FLIR Aerial IR Gimbal Zenmuse XT 13 mm, R (30 Hz)

P/N: 75605-1500

© 2016, FLIR Systems, Inc.

#75605-1500; r. /37634; en-US

DJI GO app	
Mobile device system requirements	<ul style="list-style-type: none">• iOS version 7.1 or later• Android version 4.1.2 or later
Supported mobile devices	<ul style="list-style-type: none">• iPhone 6 Plus• iPhone 6• iPhone 5S• iPad Air 2• iPad Mini 3• iPad Air• iPad Mini 2• iPad 4• Samsung Note 3• Samsung S5• Sony Z3 EXPERIA <div style="border: 1px solid black; padding: 5px;"><p> NOTE</p><p>It is recommended that you use a tablet for the best experience</p></div>
Documentation and firmware	
Download link	http://tinyurl.com/z8esgtc
Warranty	
Warranty	http://www.dji.com/service#warranty_period
Global trade data	
HS Code	9032896085 (Zenmuse XT)
ECCN code	6A003.b.4.b. (Zenmuse XT)
Shipping information	
Packaging type	Cardboard box
List of contents	<ul style="list-style-type: none">• Zenmuse XT thermal camera with stabilized gimbal• FLIR Tools+

4

3

2

1

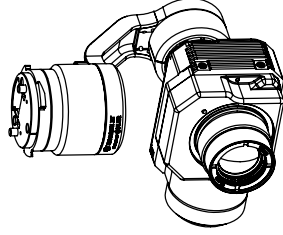
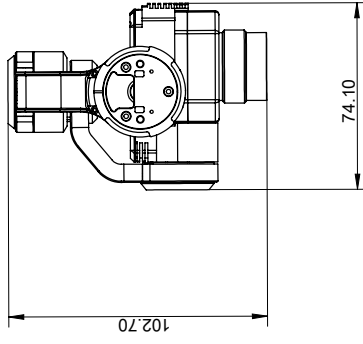
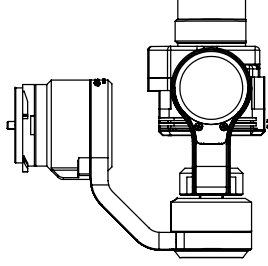
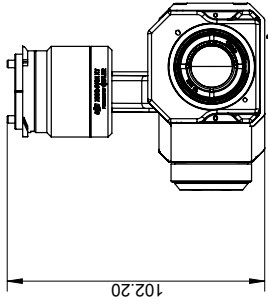
A

B

C

D

3.2
其余



材料：		物料名称：	
材料供应商		材料供应商	
材料型号	2016/2/25	材料型号	
颜色号	签名	颜色号	物料代码：
部品重量	日期	部品重量	
单位	2016/2/25	单位	共 1 张
mm	未注尺寸公差： X.XXX : ±0.03 X.XX : ±0.05 X.X : ±0.1	比例	第 1 张
1:2		A1	受控文件 授权接触
A3		页面	
深圳前海微众银行股份有限公司		4	
标记	更改记录	批准	3
设计	M0041 2016/2/25		
出图	M0041 2016/2/25		
审核			
批准			

2

1