



CLEAR VISION SOUND STRATEGIES SOLID PERFORMANCE

LANCOM 4



Portable Gas Analyzer

Measures up to nine gases simultaneously

Calculates efficiency and normalized concentrations

Integral Sample Pump

Integral Data Logger

Range of Sample Probes

Optional Printer

Optional flow measurement

Optional smoke spot measurement

Optional reporting software



Gases Measured

Electrochemical sensors

CO low

CO high

O₂

NO

NO₂

SO₂

H₂S

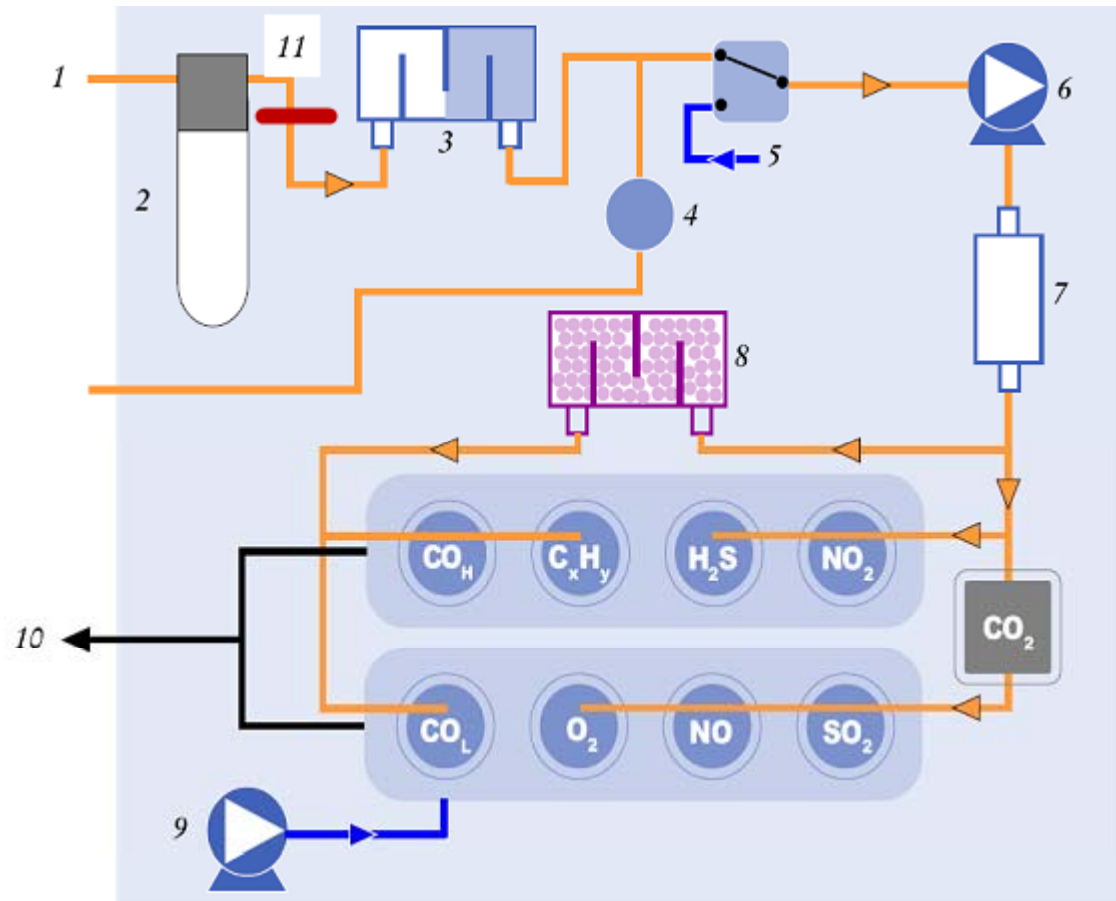
Catalytic sensor

> www.ametek.com
Hydrocarbons



Sample Flow Diagram

1. Sample Inlet
2. Catchpot
3. Dust Filter
4. Pressure Sensor
5. Air Inlet
6. Sample Pump
7. Expansion chamber
8. Acid Gas Filter
9. Purge Pump
10. Exhaust
11. Water Protection



Principal Features

Wake and Sleep Mode

Nine Gas Capability

Automatic CO Over Range
Protection

Remote Upgrade Capability

First Truly Portable Sample Drying
Probe

Superb Ergonomics

Advantages of Lancom 4

Very Robust

Lightweight

Very Simple to Use

Convenient Catch pot

Visible, Clip-in Filters

Easy Access Sensors

Serviceability



Improvements over Lancom III

Color Display

RS232, RS485, and USB data communications

The Lancom 4 supports USB memory sticks

Additional language support, including Chinese

More weather resistant

Separate charger / power supply

Protection against water ingress from the sample

Support

LAND **LANCOM 4**

Home Technical Applications Sample Probes Specifications Information Request

www.lancom4.com

Exceptional battery life.
Made to work all day.

Exceptional battery life is key to an exceptional portable gas analyser. The Lancom 4 has dual rechargeable batteries for upto 8 hours continuous use.

O₂ CO LOW CO HIGH CO₂ NO NO₂ SO₂ H₂S C_xX_y

Technical > Discover the inner workings of the Lancom 4 Portable Gas Analyser

Applications > Learn how the Lancom 4 Portable Gas Analyser can improve your process

Sample Probes > Measure more than just gas concentrations with our unique range of Sample Probes

Terms & Conditions

An **AMETEK** Company

Support

CO_{Low} CO_{High} CO_{Low}/H₂comp NO NO_x •

LAND

Portable Flue
Gas Monitoring

LANCOM 4




www.lancom4.com


An **AMETEK** Company

Support

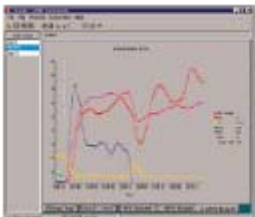
LAND



Insight
Data Acquisition & Analysis Software



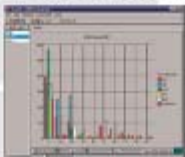
Insight is a Windows™ based data acquisition software program, used for logging measurement data directly from a LANCOM portable gas analyzer. Data can be analyzed either as it is collected in real time, or during review of logged data. A range of statistical and graphical tools allow the user to perform measurements, manipulate, report, present and print data.



Time-Copy

Features

- ▶ Real-time data display, capture and storage
- ▶ Range of display formats
- ▶ Integrated statistical analysis functions
- ▶ Range of calculations
- ▶ User definable alarms with event monitoring
- ▶ User-programmable averaging algorithms
- ▶ Export data to Microsoft Excel or text file
- ▶ Simple to use Windows based software
- ▶ Range of user-configurable sample triggers
- ▶ Local or remote operation
- ▶ Ideal for USEPA CEM-404 reporting



Frequency Contribution

A simple tool for on-site record keeping, analysis and reporting

LAND

Combustion & Environmental Monitoring

LANCOM
Portable Flue Gas Analyzers

SAMPLE PROBES



The LANCOM range of portable flue gas analyzers feature a full choice of sample probes suitable for a wide range of applications.

Standard Sample Probe
Suitable for most applications where the flue gas temperature is below 600 °C / 1112 °F.

High Temperature Sample Probe
Suitable for applications where the sample gas temperature is between 600 °C and 1400 °C / 1112 °F and 2042 °F.

Smoke Probe
For measuring smoke density simultaneously with flue gas analysis.

Flow Probe
For measuring the sample gas flow rate, and calculating mass emission levels.

DrySampler™ Probe
Proven revolutionary design to dry the flue gas at the sample point. Independently verified by the UK National Physical Laboratory, Report No. QF21/02/1042.

All LANCOM sample probes feature:

- ▶ Selection of probe length options
- ▶ Range of flexible hose lengths
- ▶ Designed flue gas temperature range (except HT probe)
- ▶ Standard replaceable particulate filter (Standard and DrySampler™ probes only)

Probe Type	Length Options (m)	Length Options (ft)	Maximum Flue Gas Temperature	Options / Accessories
Standard Probe	0.5, 1.0, 1.5, 2.0, 3.0	0.5, 3.3, 5, 6.6, 10	600 °C / 1112 °F	3 m or 30 m / 10 ft or 100 ft hose available
High Temp. Probe	0.5, 1.0, 1.5, 2.0	1.6, 3.3, 4.9, 6.6	1400 °C / 2552 °F	3 m / 10 ft hose available
Smoke Probe	0.5, 0.75, 1.0	1, 2.4, 3.2	600 °C / 1112 °F	3 m / 10 ft hose, Filter Paper, Recharge Chart and In-line Membrane
Flow Probe	0.7, 1.0, 2.0, 3.0	2.3, 3.3, 7.5, 9.8	600 °C / 1112 °F	3 m or 30 m / 10 ft or 100 ft hose available
DrySampler™ Probe	0.5, 1.0, 1.5, 2.0, 3.0	0.5, 3.3, 5, 6.6, 10	600 °C / 1112 °F	3 m or 30 m / 10 ft or 100 ft hose available

Support

Pricebook helps specify and configure a Lancom 4

Three main pages

- Preconfigured
- Configurable
- Accessories

	A	B	C	D	E	F	G	H	I	J	K	L	M	N
1	Pre-Configured LANCOM 4 Portable Flee Gas Analyzers											Currency: USD		
2	Choice of preconfigured instruments at special prices													
3	This page is the setup sheet for your analyzer. Please include a completed copy of this page with your order													
4	All Systems include: Sample conditioning, sampling pump, water catch pot, gas filters, leak panel display, integral erasable memories, main charger, data logging, memory alert, RS232, USD serial output and USD Memory alert output, In-sight data acquisition software													
5	Note: Accessories listed in Tab "48 - Lancom 4 Accessories" may be added to any preconfigured analyzer													
6	Systems and Features													
7	Lancom 4 Kit	O₂	CO₂	CO₂ (ppm)	CO₂	H₂	NO_x	SO_x	CO_x	Water & Sleep	Probe Handle & 3 m Hose			Drift Screen
8											Std	Hi Temp	Deq Sample	
9	Starter Kit	X	X			X	X				X			
10	H2 Comp Starter Kit	X		X		X	X				X			
11	High Temp Starter Standard Kit	X	X			X	X				X	X		
12	H2 Comp Standard	X	X	X	X	X	X	X	X		X	X		
13	High Temp Standard Professional Kit	X	X			X	X	X	X	X	X		X	
14	H2 Comp	X	X	X	X	X	X	X	X	X	X	X	X	X
15	High Temp	X	X	X	X	X	X	X	X	X	X	X	X	X
16	All systems include In-sight Data Acquisition Software													
17	Preconfigured Lancom 4 Kits													
18	Probe Tube not included													
19											Qty	Price	Total	
20	Lancom 4 Starter Kit											5,729	-	
21	Lancom 4 H2 Compressed Starter Kit											5,862	-	
22	Lancom 4 High Temperature Starter Kit											7,885	-	
23	Lancom 4 Standard Kit											3,181	-	
24	Lancom 4 H2 Compressed Standard Kit											3,318	-	
25	Lancom 4 High Temperature Standard Kit											18,331	-	
26	Lancom 4 Professional Kit											16,648	-	
27	Lancom 4 H2 Compressed Professional Kit											16,786	-	
28	Lancom 4 High Temp Professional Kit											15,798	-	
29	Select Regional Options													
30	Select preferred language											Language		
31	Select main lead											Mainlead		
32	Sample Probe Tube Required													
33	Standard Probe Tube - available for both Standard & Deq Sampler™ Probes													
34														
35	Lancom 0.5 m Probe Tube											add	438	-
36	Lancom 1.0 m Probe Tube											add	562	-
37	Lancom 1.5 m Probe Tube											add	743	-
38	LANCOM 2.0 m Probe Tube											add	787	-
39	LANCOM 3.0 m Probe Tube											add	926	-
40	High Temperature Probe Tube - for High Temperature Kits													
41	High Temp Probe Tube 0.5 m											add	54	-
42	High Temp Probe Tube 0.5 m											add	66	-
43	High Temp Probe Tube 0.75 m											add	77	-
44	High Temp Probe Tube 1.0 m											add	181	-
45	High Temp Probe Tube 1.5 m											add	458	-
46	High Temp Probe Tube 2.0 m											add	526	-
47	Optional Accessories													

Lancom 4 pre-configured packages

Basic – CO, NO, NO₂, O₂

Standard – CO, NO, NO₂, O₂, SO₂

Pro – CO, NO, NO₂, O₂, SO₂, CO₂, draft, flow

Typically 10% less expensive than custom-built unit

All options include Insight software at no additional charge

Standard and Pro include wake-and-sleep at no additional charge

H₂ compensated CO available

Can accessories (but not sensors) at standard price

High-temperature versions have high-temp probe

Lancom 4 pre-configured packages

	Sensors and features												
Lancom 4 Kit	O ₂	CO _L	CO _L H ₂ Comp	CO _H	NO	NO ₂	SO ₂	CO ₂	Wake & Sleep	Std Probe	Hi Temp Probe	Dry Sampler	Draft Sensor
Starter Kit	X	X			X	X				X			
High Temp Starter Kit	X	X			X	X					X		
Standard Kit	X	X		X	X	X	X		X	X			
H2 Comp Standard Kit	X		X	X	X	X	X		X	X			
High Temp Standard Kit	X	X		X	X	X	X		X		X		
Professional Kit	X	X		X	X	X	X	X	X	X		X	X
H2 Comp Professional Kit	X		X	X	X	X	X	X	X	X		X	X
High Temp Professional Kit	X	X		X	X	X	X	X	X		X	X	X

All systems include Insight Data Acquisition Software

Lancom 4 pre-configured packages Analyzer

Preconfigured Lancom 4 Kits Probe Tube not Included		Qty	Price	Total
Lancom 4 Starter Kit	807676		6,723	-
Lancom 4 H2 Compensated Starter Kit	807714		6,862	-
Lancom 4 High Temperature Starter Kit	807677		7,883	-
Lancom 4 Standard Kit	807678		9,181	-
Lancom 4 H2 Compensated Standard Kit	807679		9,318	-
Lancom 4 High Temperature Standard Kit	807680		10,331	-
Lancom 4 Professional Kit	807681		14,648	-
Lancom 4 H2 Compensated Professional Kit	807682		14,786	-
Lancom 4 High Temp Professional Kit	807683		15,798	-
Select Regional Options				
Select preferred language	Language			
Select mains lead	Mains lead			

All systems include Insight Data Acquisition Software

Lancom 4 pre-configured packages

Probe Tube

Sample Probe Tube Required		Qty		Price	Discount	Total
Standard Probe Tube - suitable for both Standard & DrySampler™ Probes						
Lancom 0.3 m Probe Tube	702.141		add	430		-
Lancom 1.0 m Probe Tube	702.205		add	562		-
Lancom 1.5 m Probe Tube	702.206		add	749		-
LANCOM 2.0 m Probe Tube	703.440		add	787		-
LANCOM 3.0 m Probe Tube	702.207		add	926		-
High Temperature Probe Tube - for High Temperature Kits						
High Temp Probe Tube 0.3 m	305.001		add	54		-
High Temp Probe Tube 0.5 m	305.002		add	66		-
High Temp Probe Tube 0.75 m	305.003		add	77		-
High Temp Probe Tube 1.0 m	305.004		add	101		-
High Temp Probe Tube 1.5 m	305.005		add	150		-
High Temp Probe Tube 2.0 m	305.006		add	226		-

All systems include Insight Data Acquisition Software

Lancom 4 pre-configured packages

Accessories

Optional Accessories		Qty		Price	Discount	Total
Optional Carry Case and Ouputs						
Lancom Carry Case	802467		add	168		-
Lancom 4 External Printer	806744		add	1,142		-
Lancom 4 Analog Output Assembly	807578		add	1,795		-
Flow Probe - For Professional Kit (sample probe also needed)						
LANCOM FLOW Probe 0.7 m	703.470		add	2,696		-
LANCOM FLOW Probe 1.2 m	703.471		add	3,184		-
LANCOM FLOW Probe 2.2 m	703.472		add	3,998		-
LANCOM FLOW Probe 3.0 m	703.473		add	4,786		-
FLOW PROBE MUST BE SUPPLIED WITH ONE OF THE FOLLOWING HOSES:						
LANCOM FLOW Probe Hose 3 m	703.474		add	523		-
LANCOM FLOW Probe Hose 10 m	703.475		add	805		-

All systems include Insight Data Acquisition Software

Lancom 4 Configurable – Base Unit

**This page is the setup sheet for your analyzer.
Please include a completed copy of this page with your order**

Gases (Select Required)		Select (Y/N)	Price	Total
CO (Low) max range 0-6000 ppm		n	392	-
CO (Low) max range 0-4000 ppm with Hydrogen comp.		n	539	-
CO (High) max range 0-10%		n	539	-
O ₂ max range 0-25%		n	195	-
NO max range 0-5000 ppm		n	424	-
SO ₂ max range 0-4000 ppm		n	539	-
CxHy max range 0-4%		n	368	-
NO ₂ max range 0-1000 ppm		n	579	-
H ₂ S max range 0-1000 ppm		n	661	-
CO ₂ max range 0-25%		n	1,290	-
Special ranges available - please enquire				
Base Unit				
3 Gas Lancom 4	Base unit		4,602	4,602
4 Gas Lancom 4	add		742	-
5 Gas Lancom 4	add		1,664	-
6 Gas Lancom 4	add		2,398	-
7 Gas Lancom 4	add		3,142	-
8 Gas Lancom 4	add		3,877	-
9 Gas Lancom 4	add		4,422	-
			Sub total	4,602

Sample Probes

Standard Sample probe

Smoke Probe

Flow Probe

High Temperature Probe

DrySampler™ Probe

BUY NOW OR ADD LATER!!!



Lancom 4 Configurable – Probe

Standard Probe Handle & Hose				Qty		
Handle and 3m Hose				392		-
Handle and 10m Hose				621		-
DrySampler™ Probe Handle & Hose						
DrySampler Handle and 3m hose				3,280		-
DrySampler Handle and 10m hose				3,451		-
Instant Ice Packs - Box of 20 Packs				90		-
Sample Probe Tubes						
0.3m Probe				358		-
1.0m Probe				482		-
1.5m Probe				669		-
2.0m Probe				710		-
3.0m Probe				792		-

Lancom 4 Configurable – Options

Options				
Insight Data Acquisition Software			1,011	-
External printer module (with rechargeable batteries & charger)			1,142	-
Carry Case			168	-
Draft Measurements +/- 500 mm H ₂ O			450	-
Draft Measurements +/- 250 mm H ₂ O (For Flow Probe Option)			450	-
Semi continuous 'wake & sleep' operation			482	-
Lancom 4 Analogue Output Module			1,885	-
Inline Flow Meter			254	-
Spare printer paper			18	-
Selections				
Select preferred language	Choose Language		-	-
Select mains lead	Choose Mains Lead		-	-

Lancom 4 Accessories - Probes

Lancom 4 Accessories		Currency:		USD	
SAMPLE PROBE OPTIONS					
Standard Probe Handle & Hose	Part Number	Price	Qty	Total	
LANCOM Probe Handle & 3m Hose	703.128	523		-	
LANCOM Probe Handle & 10 m Hose	703.163	987		-	
Dry Sampler™ Probe Handle & Hose					
DRYSAMPLER Handle & Hose 3 m	323.173	3,661		-	
DRYSAMPLER Handle & Hose 10 m	323.174	3,858		-	
KOOLPACK Instant Ice Pack	321.033	98		-	
Sample Probe Tubes					
Lancom 0.3 m Probe Tube	702.141	430		-	
Lancom 1.0 m Probe Tube	702.205	562		-	
Lancom 1.5 m Probe Tube	702.206	749		-	
LANCOM 2.0 m Probe Tube	703.440	787		-	
LANCOM 3.0 m Probe Tube	702.207	926		-	
Smoke Probe (Inc 3 m Hose, Filter Paper, Chart & In-Line Flow Meter)					
0.3 m Smoke Probe & Hose	703.374	1,550		-	
0.75 m Smoke Probe & Hose	703.383	1,763		-	
1.0 m Smoke Probe & Hose	703.384	1,837		-	
Flow Probe Must Include Draft Measurement					
LANCOM FLOW Probe 0.7 m	703.470	2,696		-	
LANCOM FLOW Probe 1.2 m	703.471	3,184		-	
LANCOM FLOW Probe 2.2 m	703.472	3,998		-	
LANCOM FLOW Probe 3.0 m	703.473	4,786		-	
MUST BE SUPPLIED WITH ONE OF THE FOLLOWING HOSES:					
LANCOM FLOW Probe Hose 3 m	703.474	523		-	
LANCOM FLOW Probe Hose 10 m	703.475	805		-	
High Temperature Probe for temperatures up to 1400 °C (2552°F)					
LANCOM High Temp. Handle & 3m Hose	704.199	1,704		-	
High Temperature Probe Pipe Options					
High Temp Probe Tube 0.3 m	305.001	54		-	
High Temp Probe Tube 0.5 m	305.002	66		-	
High Temp Probe Tube 0.75 m	305.003	77		-	
High Temp Probe Tube 1.0 m	305.004	101		-	

Probe handle

Probe tube

Smoke Probe

Flow Probe & Hose

High Temp probe & Tubes

Lancom 4 Accessories - Other

AUXILIARY OPTIONS				
Insight Data Acquisition Software	806617	978		-
Lancom Carry Case	802467	168		-
Lancom 4 External Printer	806744	1,142		-
Lancom 4 Analog Output Assembly	807578	1,795		-
Pressure Sensor 0-1 PSID	405.405	520		-
Flow Adapter PCB Assembly	703.862	702		-
Semi continuous 'wake & sleep' operation	SAL001	482		-
Flowmeter For LANCOM	703.935	259		-
LANCOM Spares Kit	703.314	141		-



**For the most current information,
please visit AMETEK Land's Web site**



www.ametek-land.com